



**Player One**

# **Phoenix Filter Wheel 7x2" Manual**

V1.0

Apr, 2026

## Table of Contents

|                                 |   |
|---------------------------------|---|
| Product Features .....          | 3 |
| Support model .....             | 4 |
| Body Threads.....               | 4 |
| Filter size.....                | 4 |
| Material.....                   | 4 |
| Physical thickness.....         | 4 |
| Hall Sensing Technology .....   | 5 |
| Hybrid stepping motor.....      | 6 |
| Type-C data port .....          | 6 |
| Support filters .....           | 6 |
| Mechanical Drawing .....        | 7 |
| Package List.....               | 7 |
| Warranty & Shipping Policy..... | 8 |

## Product Features



**Support model:**

Poseidon series, Zeus series, Artemis series, Ares series, Uranus PRO, Apollo PRO

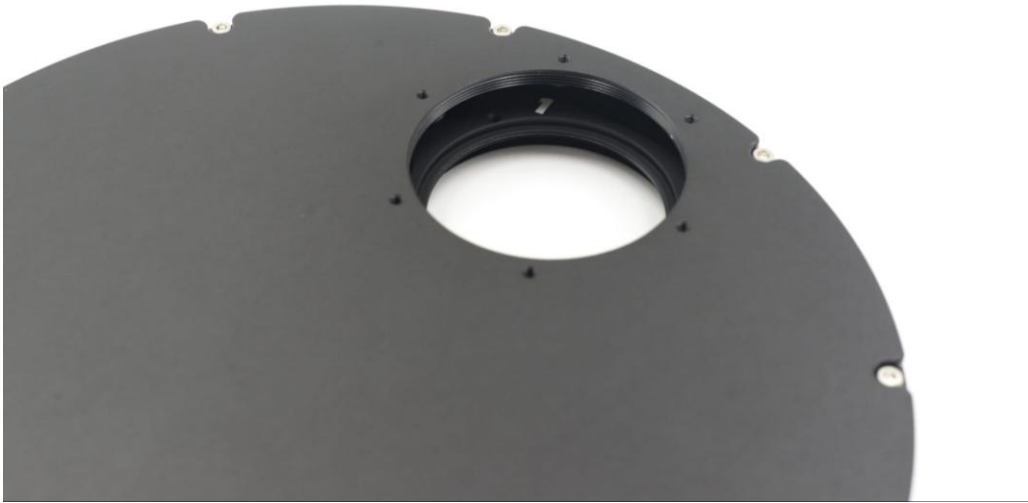
**Body Threads:** M54\*0.75 on both sides

**Filter size:** 2" mounted filter / 50mm unmounted filter is required

**Material:** Aluminum 6061-T6

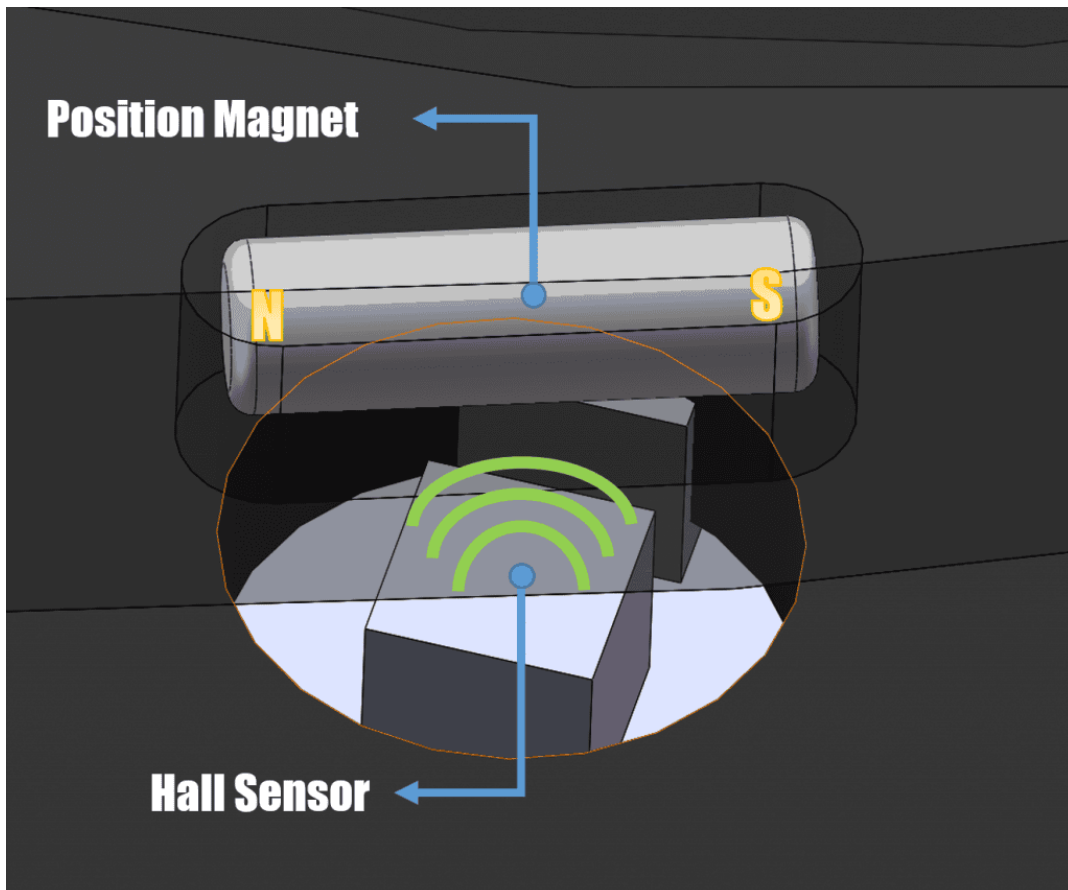
**Physical thickness:** 21mm





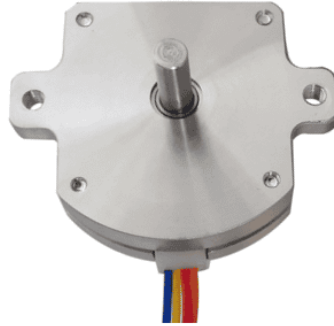
## Hall Sensing Technology

Traditional infrared sensor scanning positioning hole to locate position, this way positioning accuracy depends on the size of the positioning hole, the smaller the hole, the higher the accuracy, but the diameter of the hole must have at least 1mm diameter, otherwise it is difficult to manufacture. But if use magnet on filter plate, Hall sensor will detect the center of the magnet, the positioning accuracy is better than infrared sensor.



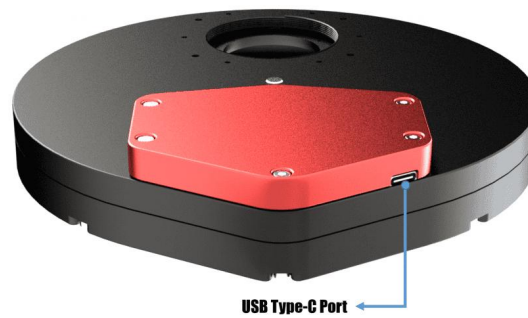
## Hybrid stepping motor

This super thin hybrid stepping motor can provide very smooth rotation, almost no vibration when change the filter position.



## Type-C data port

Using USB Type-C port can reduce the thickness of red piece.

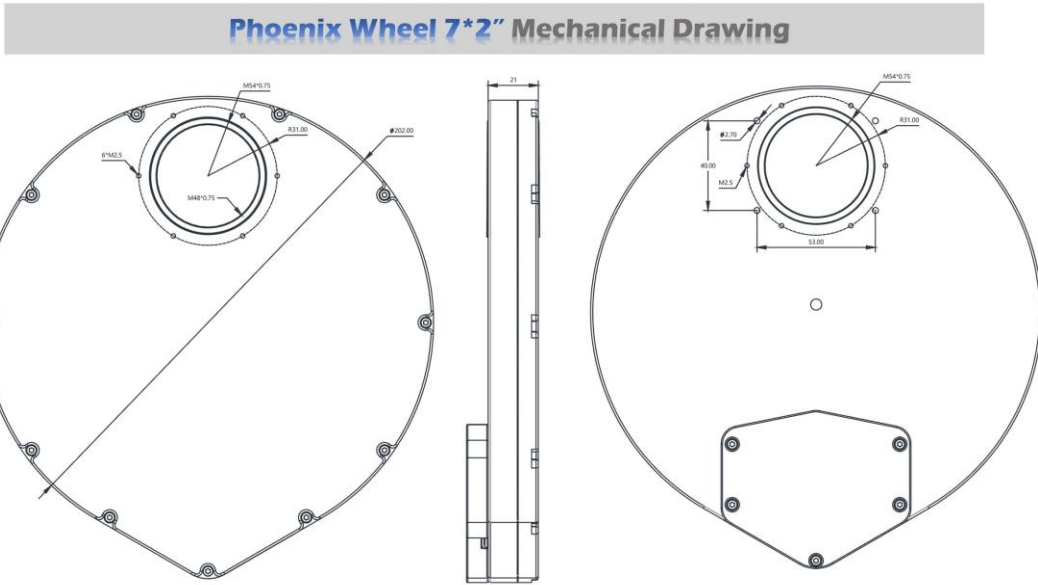


## Support filters

Filter Positions of Phoenix Wheel 7×2" support 2" mounted filter and 50mm unmounted filter is required. 2" mounted filter need to check the thickness:



## Mechanical Drawing



## Package List

### Phoenix Wheel 7x2" package



## Warranty & Shipping Policy

### Payment method

We provide *PayPal* and *PayPal checkout* on our website.

### Shipping and Delivery

#### Shipping Fee:

- Amount  $\geq$  299USD: free express shipping
- Amount  $<$  299USD: 29.9USD for express shipping

#### Shipping Services:

- We usually use DHL, UPS, FedEx, TNT for shipping.
- Make sure your email is correct, we maybe will contact with you through emails in case of emergency.

If customer wants to designate a shipping company or has special requirement, please send an email to [support@player-one-astronomy.com](mailto:support@player-one-astronomy.com) and tell us your detailed requirement.

#### Shipping time:

- Usually 7-14 days.
- Tracking number will be updated in 3 days after paid.

For orders from areas where transportation is not easy, such as islands, town in mountainous regions, delivery time will be slightly longer.

Please send an email to [support@player-one-astronomy.com](mailto:support@player-one-astronomy.com) immediately, if the following occurs:

- Shipping delayed or has some abnormal information.
- The packing is badly damaged on arrival, take pictures and do not sign.

### Tax

- The price on our website without tax.
- Please note that buyers are liable to charge tax involved, such as Import tax, VAT, customs handling fee, etc.
- Those fees possibly will be collected at the time of delivery by courier.

For best experiences, we recommend customers to purchase our products form local dealers.

### After-sales Service

#### Warranty Policy

2-year free warranty (time start from delivered) for Player One products. If the product has any issue, please send the image or video and description to [support@player-one-astronomy.com](mailto:support@player-one-astronomy.com) for further check to confirm.

- Purchase from Player One official online store, we will provide warranty service directly.
- Purchase form dealer, we will provide warranty service through dealer.

Repair in warranty, customer only pay the shipping fee of shipping back the product to us or dealer, and no other extra fees.

### **Replacement Policy**

You can request our Replacement Service:

- √ Within 30 calendar days of receiving the product if the product does not match the original description of the product in one or more significant respects.
- √ Within 30 calendar days of receiving the product if the product suffers performance failure.

Please contact our After-Sales team by email to [support@player-one-astronomy.com](mailto:support@player-one-astronomy.com) within 30 calendar days of receiving the products. Player One shall be responsible for the two-way replacement freight for any products sent in for replacement due to performance faults.

### **Warranty and Replacement Policy Exceptions:**

- × Warranty service time or replacement service time expired.
- × Legal proof-of-purchase, receipts, or invoices are not provided, or are reasonably believed to have been forged or tampered with.
- × A product sent to Player One for replacement does not include all original accessories, attachments and packaging, or contains items damaged by user error.
- × A product is found to have no defects after all appropriate tests are conducted by Player One.
- × Any fault or damage of the product is caused by unauthorized use or modification of the product, including exposure to moisture, entry of foreign bodies (water, oil, sand, etc.) or improper installation or operation.
- × Product labels or serial numbers show signs of tampering or alteration.
- × Damage is caused by uncontrollable external factors, including falling down, fires, floods, or lightning strikes, etc.
- × Proof of damage during transit issued by the carrier cannot be provided.
- × Other circumstances stated in this policy.

In those situations, repair the product might have extra cost, we will estimate cost and email customer to know the information before send product back.