



Player One

Neptune-C Camera Manual

V1.0

Dec, 2024

Table of Contents


Product Features	3
Technical parameters	4
Product Description	5
Features	6
Cutting-edge Design	6
2nd Gen – Sensor Tilt Plate	7
256M DDR3 Cache	8
DPS technology	9
Overvoltage and overcurrent protection mechanism	9
Data Port	10
Performance	11
Readout Noise	12
QE Curve	12
HCG Mode	12
Mechanical Drawing	13
Package List	14
Warranty & Shipping Policy	15

Product Features

The Neptune series is a 1/2-inch format planetary camera series for the top player. It is larger than 1/3-inch and has a higher resolution, and is more suitable for astronomy enthusiasts.

The main hit of the Neptune series is Neptune-C II, yes, you read it right. We directly released the second-generation Neptune model on the grounds that the plan could not keep up with the changes.

Beside the brightest star Neptune-C II, we also grandly launch other two highly praised models Neptune-C and Neptune-M.



NEPTUNE-C

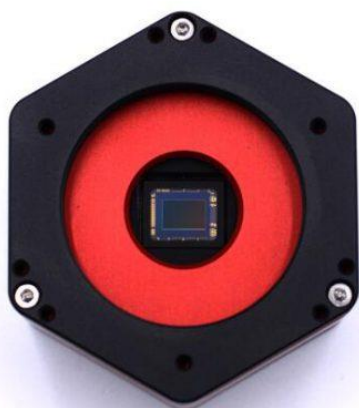
Sensor	Performance	Port
Type: Sony IMX178 (Color) Format: 1/1.8" (7.4×5.0mm) Resolution: 3096×2078 Pixel Size: 2.4μm QE: ≈80% Full Well: 15000e Bit Depth: 14bit	DDR Cache: DDR3 256MB FPS: 60FPS Readout Noise: 2.2e - 1.3e HCG Mode: Supported Protective Glass: IR-cut Coating	Sensor Tilt Adjustment: Supported Data Port: USB3.0 Guide Port: ST4 Threads: M42×0.75mm T-mount: 1.25"

Technical parameters

Sensor	SONY IMX178 1/1.8" CMOS (color)
Diagonal	9mm
Total Pixels	6.4 Mega Pixels
Max Resolution	3096x2078
Pixel Size	2.4µm
Chip Size	7.4mmx5.0mm
Frame Rate	60FPS (10bit)
Bayer Matrix	RGGB
Shutter	Rolling shutter
Exposure Range	32µs-2000s
Readout Noise	2.2e~1.3e
QE Peak	≈80%
Full Well	15k e
ADC	14 bit
Data Port	USB3.0/USB2.0
Adapter	1.25" / M42X0.75
Back Focal Length	12.5mm
Protective Window	D21*1.1MM High Quality UV IR-CUT (Anti Reflection) Multi-Layer Coating
Diameter	66mm
Weight	180g
Resolution and FPS	Under USB3.0 mode Resolution 10bit ADC 3096x2078 60 FPS More resolution options could be setup in capture software!

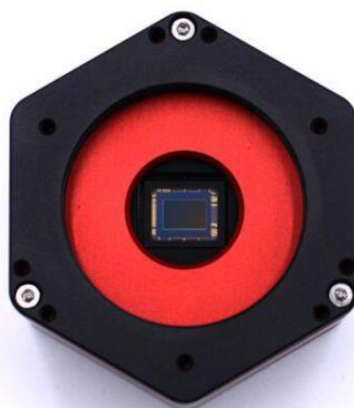
Product Description

Neptune-C is a planetary camera developed by Player One Astronomy, which adopts the Sony IMX178 **1/1.8" format** sensor. The **2.4um pixel size** accommodates a well depth of **15ke** with a total of **6.4MP** (the resolution is 3096*2078), and the diagonal is **9mm**. Neptune-C (IMX178 color sensor) does not need to highlight its infrared sensitivity (compared with the IMX464 infrared sensitivity, the point of the IMX178 is very low). So, we put an UV IR-cut protective glass in Neptune-C, return you a pure true color world.



NEPTUNE-M

IMX178 Mono
1/1.8"
7.4mm X 5.0mm
3096 X 2078
14bit
60FPS

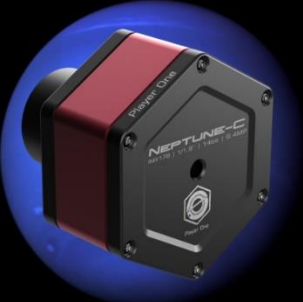


NEPTUNE-C

IMX178 Color
1/1.8"
7.4mm X 5.0mm
3096 X 2078
14bit
60FPS

Features

The naming of Player One Astronomy cameras is unique. For example, we name the planetary cameras after planets (They are Mercury, Venus, Mars, Jupiter, Saturn, Uranus and Neptune, Earth is not included). The size of each planet to a certain extent, represents the size of camera sensors. We will name Saturn with a 1-inch sensor camera, and for Neptune, we will have named it with a 1/1.8-inch sensor camera. All names will be engraved on the housing of the cameras.



3096×2078@60fps **2K@90fps** **1080P@120fps** **720P@177fps**

Features:

- ✓ **High Sensitivity** Well-known Sony IMX178 color sensor.
- ✓ **DDR Cache** DDR3 256MB.
- ✓ **DPS Technology** Suppress dead pixels, improve image quality.
- ✓ **Sensor Tilt Plate** Remove newton ring in solar imaging.
- ✓ **USB3.0** | Up to 60FPS.
- ✓ **ST4 Port** Easy for guiding.

NEPTUNE-C
COLOR CAMERA

Neptune-C is best for Lunar imaging and Meteor monitoring

Drivers and software download:

<http://player-one-astronomy.com/service/software/>

Manuals download:

<http://player-one-astronomy.com/service/manuals/>

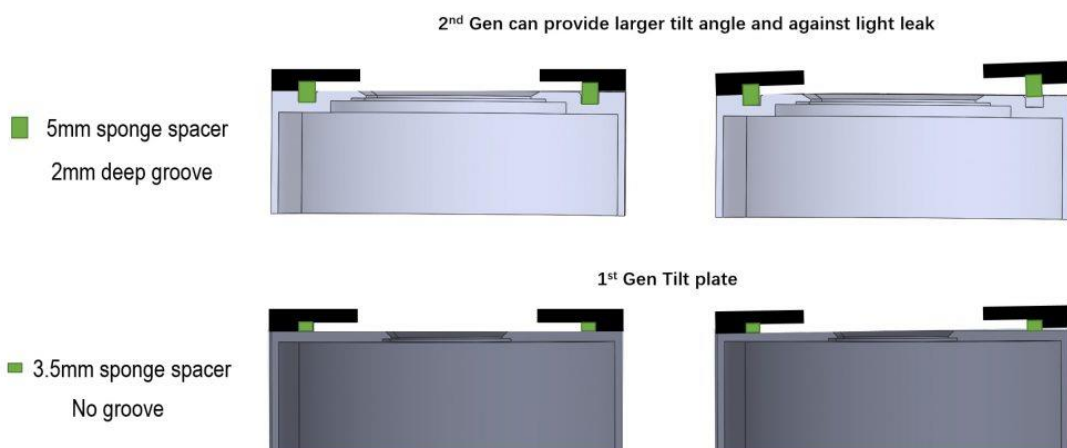
Cutting-edge Design

The planetary cameras developed by Player One Astronomy uses a scientific and technological regular hexagon to construct the main body line, supplemented by round chamfers to achieve both rigidity and flexibility. The positive red, which is like a summer fire, is matched with the low-key and steady black, and the super-fine frosting process on the entire surface makes the camera look luxurious and cool, highlighting the style of high-end players, can't take my eyes off

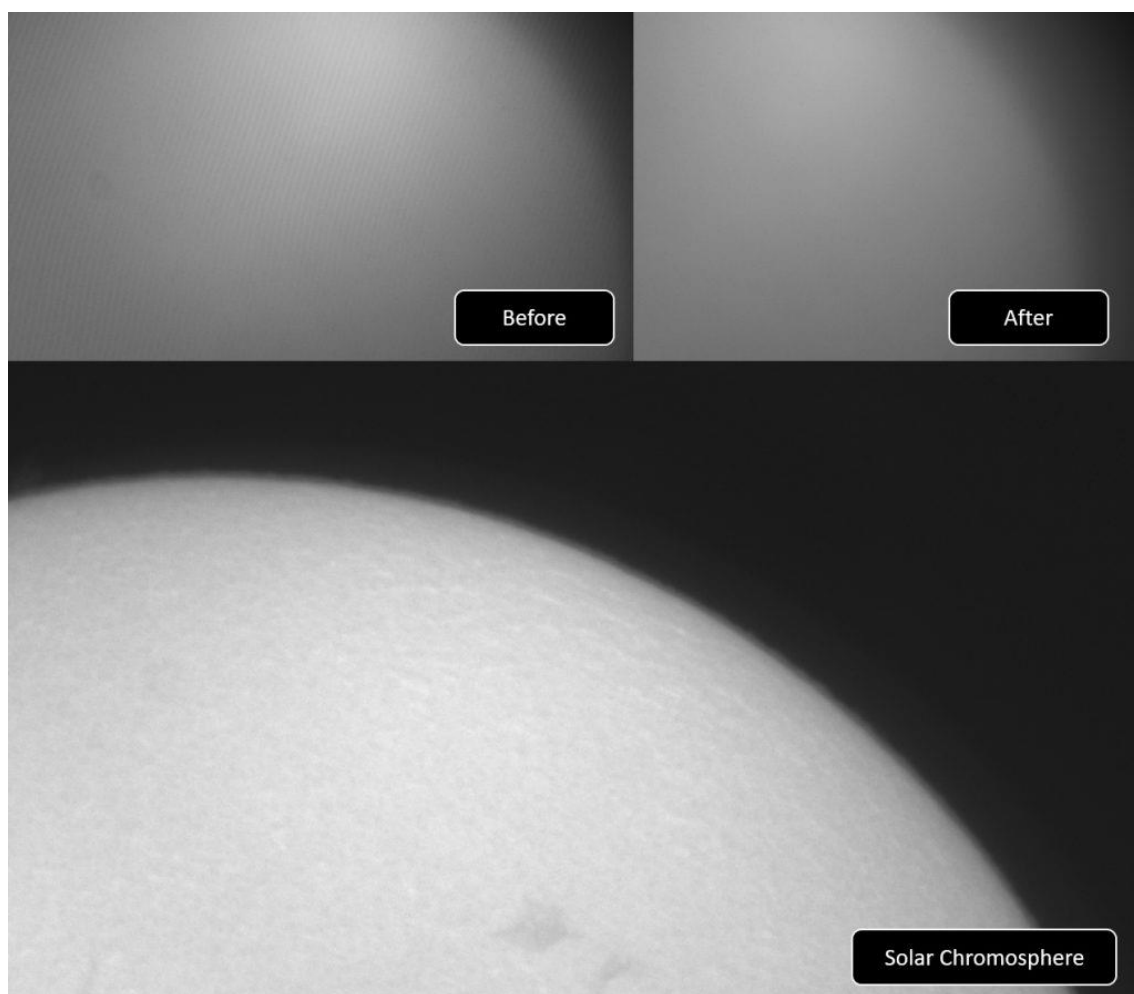


2nd Gen – Sensor Tilt Plate

The built-in high-density sponge shading pad can block the light from the side slits without any side leakage.



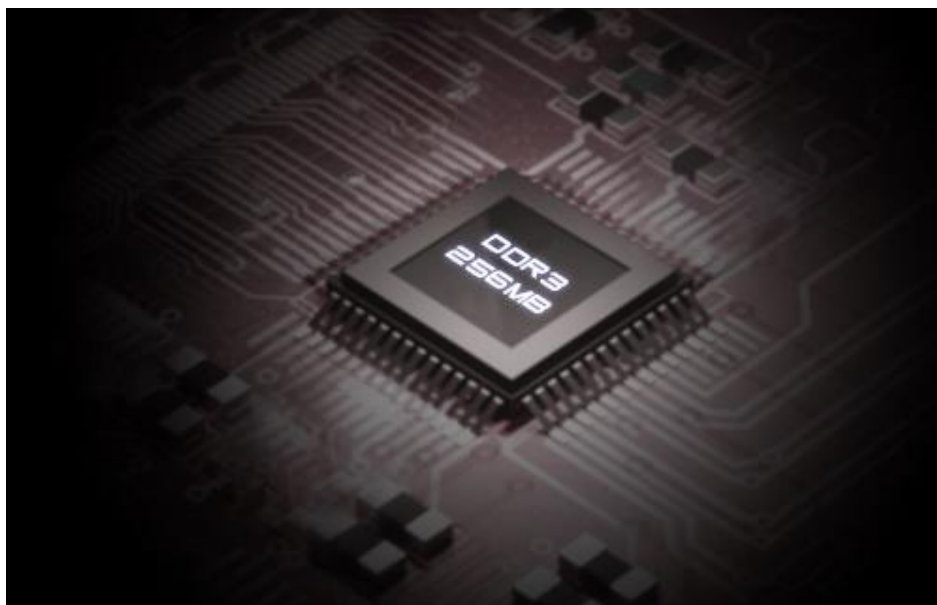
When taking solar photograph with prominence telescope, the Newton ring is annoying. Smoother solar image without Newton ring could be taken by adjusting the focal plate. Get a much smaller field curvature of the telescope.



256M DDR3 Cache

Player One Astronomy cameras are the first one who adopts the DDR3 cache in all planetary cameras in the world! It helps stabilize and secure data transmission, it effectively avoids frame dropping and greatly reduces readnoise.

With the DDR3 cache, the camera does not have high demands on computing needs any longer, it will still have excellent performance even if it is connected to a USB 2.0 port.



DPS technology

The planetary cameras from Player One Astronomy have DPS (Dead Pixel Suppression) technology. The DPS is analyses many dark frames to find out those fixed abnormal pixel and record the map in camera memory. In imaging, each exposure frames, those position of dead pixels will be given a median value according to the active pixels around that abnormal pixel.



Overvoltage and overcurrent protection mechanism

Player One cameras produced by the number one player ensures the safety of your camera and other equipment through overvoltage and overcurrent protection mechanisms.

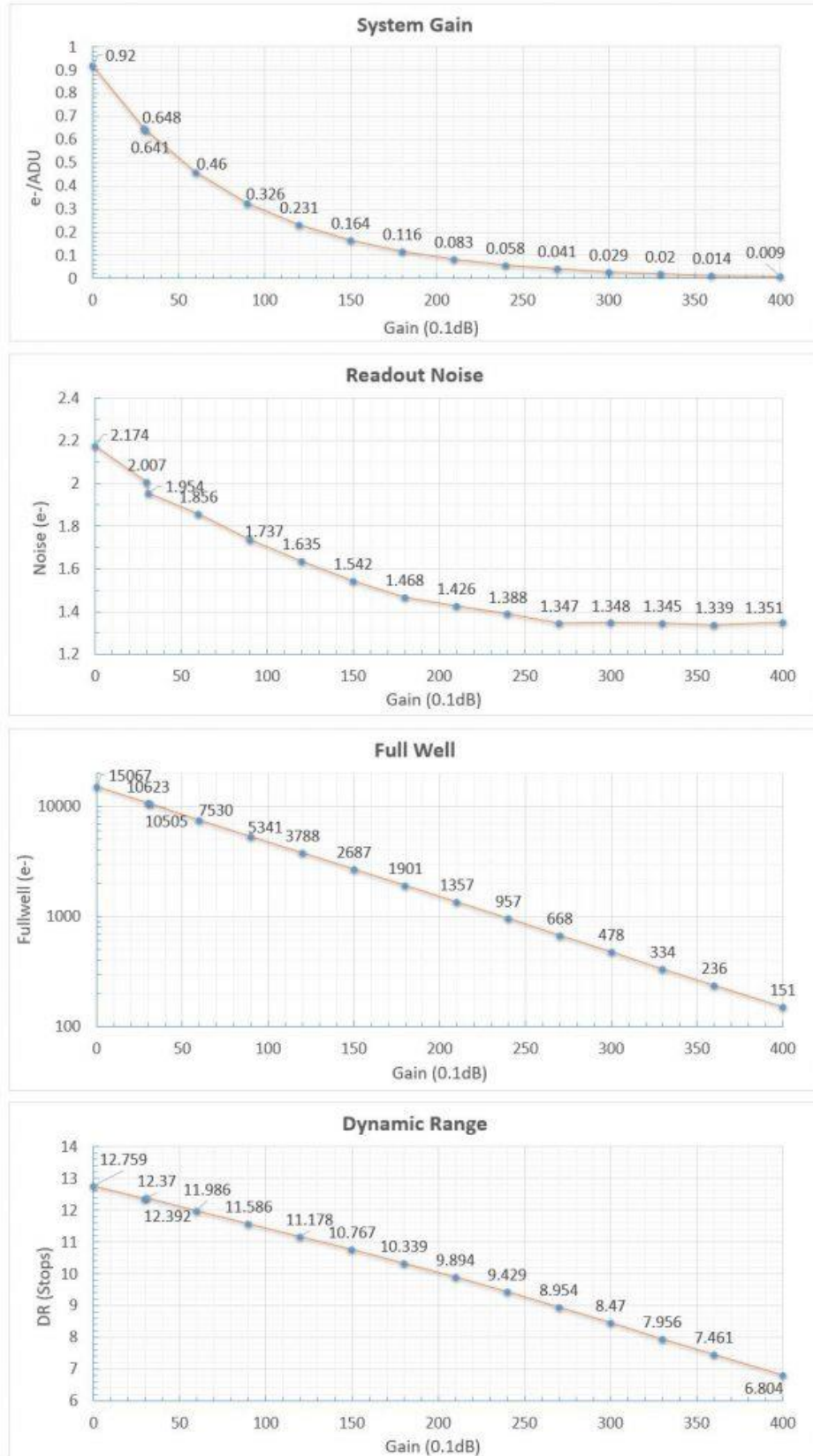
Data Port

When the camera is connected to the USB3.0 interface and full-resolution preview is used, it can reach 93 FPS in RAW8 mode (10bit ADC). When recording images, since the actual writing speed will be affected by the writing speed of the hard disk itself, when the hard disk writing speed is slow, the recording may not reach the theoretical speed. It is recommended that you use a high-quality solid state drive to record data to give full play to the performance of the camera.

Use the ST4 guide cable to connect the camera and the AUTO GUIDE port of the equatorial mount to do guiding.



Performance



Readout Noise

Regarding readout noise, we solemnly promise that all values are obtained from actual tests. And for users, you could use Sharpcap 4 for testing. SC4 has a function called **Sensor Analysis**, provide a very simple way to test readout noise.

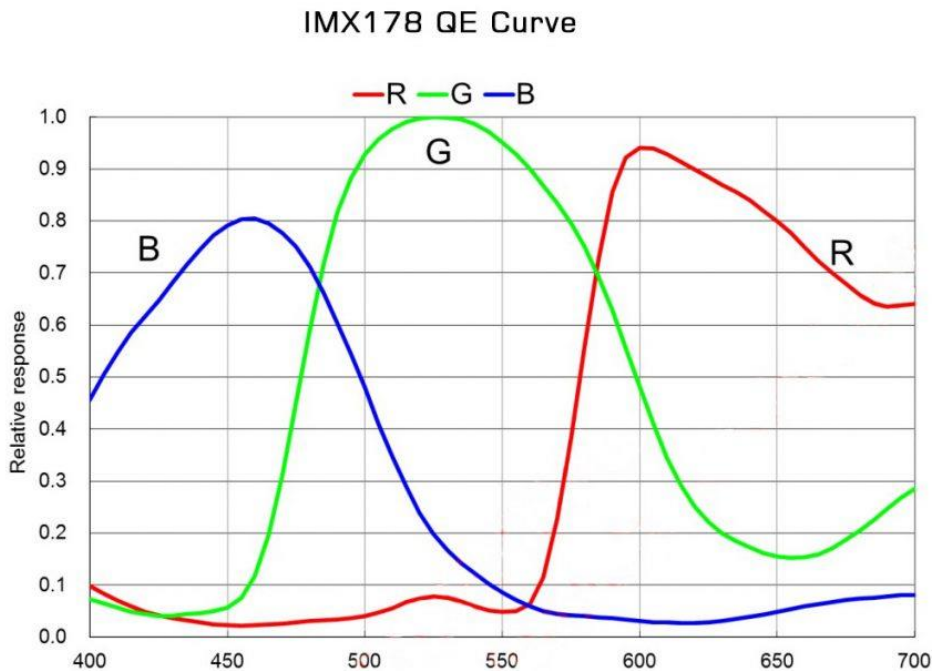
We wrote a tutorial on our website:

<https://player-one-astronomy.com/service/manuals/>

After many rigorous readout noise tests, the Neptune-C camera can reach a low readout noise of 1.34e at a gain of 350.

If you are interested in readout noise testing, you may try it yourself, which is very simple.

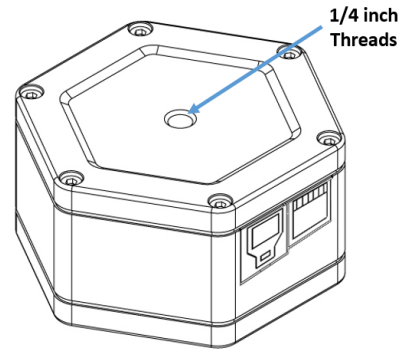
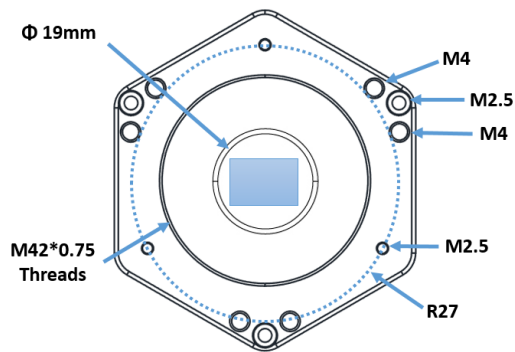
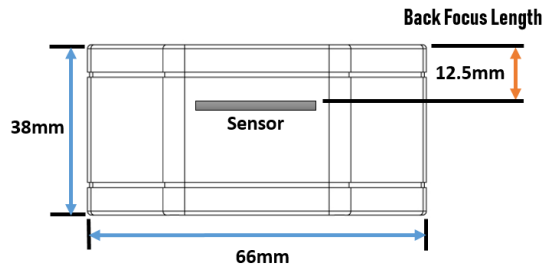
QE Curve



HCG Mode

The Neptune camera has a unique HCG mode, which will automatically turn on when the camera gain setting is >30. The HCG mode can greatly reduce the readout noise and retain the same high dynamic range as the low gain.

Mechanical Drawing



Package List



Camera Package

<p>1</p> 	<p>2</p> 	<p>3</p> 
<p>Camera and T-mount</p>	<p>USB3.0 Cable</p>	<p>ST4 Cable</p>
<p>4</p> 	<p>5</p> 	<p>6</p> 
<p>M2 Hexagonal wrench</p>	<p>1.25" Cover</p>	<p>Air Blower</p>

Warranty & Shipping Policy

Payment method

We provide *PayPal* and *PayPal checkout* on our website.

Shipping and Delivery

Shipping Fee:

- Amount \geq 299USD: free express shipping
- Amount $<$ 299USD: 29.9USD for express shipping

Shipping Services:

- We usually use DHL, UPS, FedEx, TNT for shipping.
- Make sure your email is correct, we maybe will contact with you through emails in case of emergency.

If customer wants to designate a shipping company or has special requirement, please send an email to support@player-one-astronomy.com and tell us your detailed requirement.

Shipping time:

- Usually 7-14 days.
- Tracking number will be updated in 3 days after paid.

For orders from areas where transportation is not easy, such as islands, town in mountainous regions, delivery time will be slightly longer.

Please send an email to support@player-one-astronomy.com immediately, if the following occurs:

- Shipping delayed or has some abnormal information.
- The packing is badly damaged on arrival, take pictures and do not sign.

Tax

- The price on our website without tax.
- Please note that buyers are liable to charge tax involved, such as Import tax, VAT, customs handling fee, etc.
- Those fees possibly will be collected at the time of delivery by courier.

For best experiences, we recommend customers to purchase our products form local dealers.

After-sales Service

Warranty Policy

2-year free warranty (time start from delivered) for Player One products. If the product has any issue, please send the image or video and description to support@player-one-astronomy.com for further check to confirm.

- Purchase from Player One official online store, we will provide warranty service directly.
- Purchase form dealer, we will provide warranty service through dealer.

Repair in warranty, customer only pay the shipping fee of shipping back the product to us or dealer, and no other extra fees.

Replacement Policy

You can request our Replacement Service:

- √ Within 30 calendar days of receiving the product if the product does not match the original description of the product in one or more significant respects.
- √ Within 30 calendar days of receiving the product if the product suffers performance failure.

Please contact our After-Sales team by email to support@player-one-astronomy.com within 30 calendar days of receiving the products. Player One shall be responsible for the two-way replacement freight for any products sent in for replacement due to performance faults.

Warranty and Replacement Policy Exceptions:

- × Warranty service time or replacement service time expired.
- × Legal proof-of-purchase, receipts, or invoices are not provided, or are reasonably believed to have been forged or tampered with.
- × A product sent to Player One for replacement does not include all original accessories, attachments and packaging, or contains items damaged by user error.
- × A product is found to have no defects after all appropriate tests are conducted by Player One.
- × Any fault or damage of the product is caused by unauthorized use or modification of the product, including exposure to moisture, entry of foreign bodies (water, oil, sand, etc.) or improper installation or operation.
- × Product labels or serial numbers show signs of tampering or alteration.
- × Damage is caused by uncontrollable external factors, including falling down, fires, floods, or lightning strikes, etc.
- × Proof of damage during transit issued by the carrier cannot be provided.
- × Other circumstances stated in this policy.

In those situations, repair the product might have extra cost, we will estimate cost and email customer to know the information before send product back.